

PARTS LIST

for

KitchenAid®

DISPOSER

3/4 HP – CONTINUOUS FEED

MODEL:

KCDS075T0



FOR CUSTOMER SATISFACTION ALWAYS USE
FACTORY SPECIFICATION PARTS

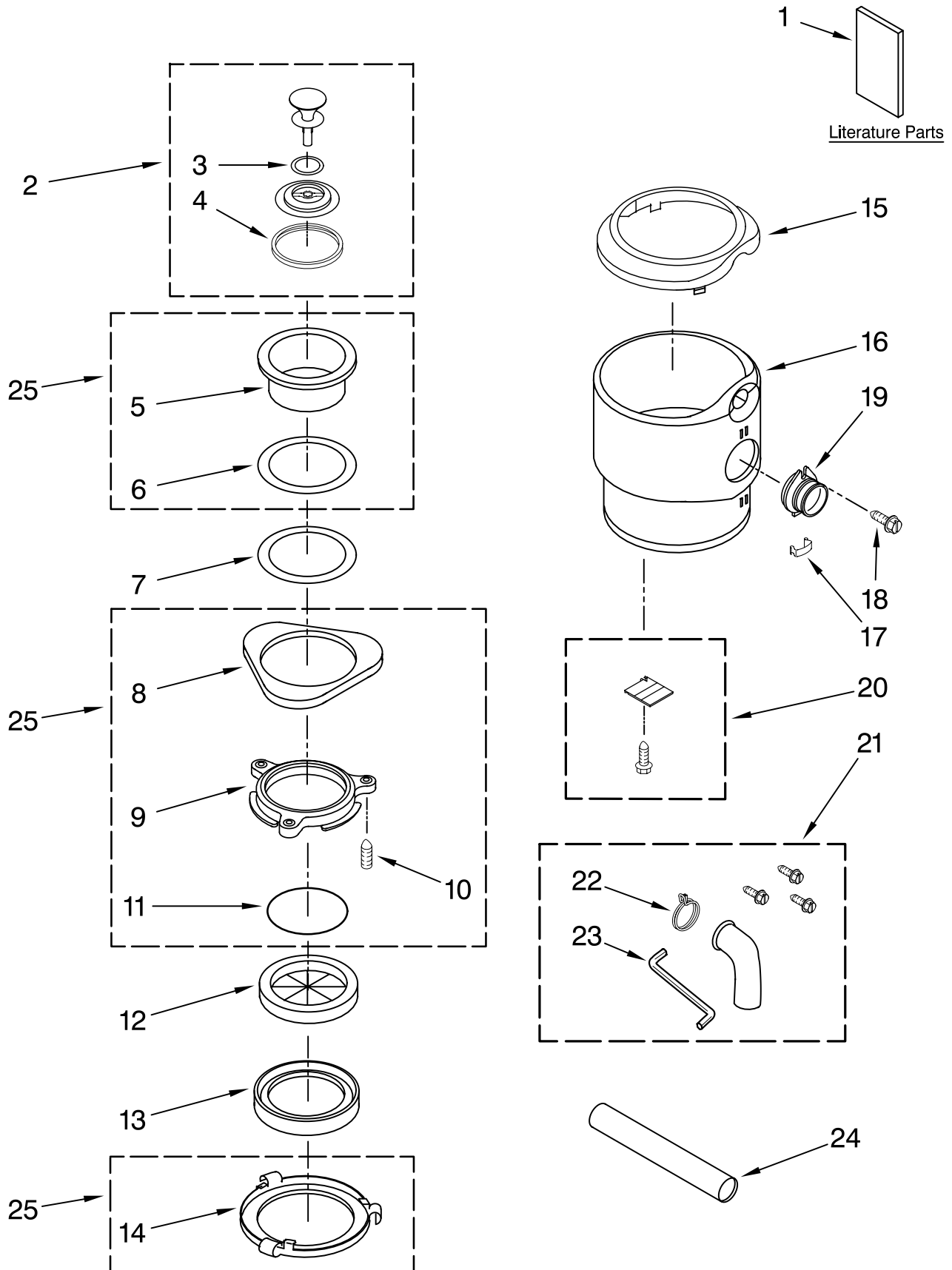


KITCHENAID

ST. JOSEPH MICHIGAN 49085

HOUSING AND FLANGE PARTS

For Model: KCDS075T0



FOR ORDERING INFORMATION REFER TO PARTS PRICE LIST

HOUSING AND FLANGE PARTS

For Model: KCDS075T0

Illus. No.	Part No.	DESCRIPTION
1		Literature
	W10171100	Guide, Use & Care
	W10166570	Repair Parts List
2	4211398	Stopper Assembly
3	4211355	Gasket, Stopper (Inner)
4	4211333	Gasket, Stopper (Outer)
5	W10171101	Flange, Sink
6	4211606	Gasket, Fiber
7	4211302	Seal, Sink Flange
8	W10171102	Flange, Backup
9	4211304	Flange, Mounting
10	W10171103	Screw, Backup
11	4211306	Ring, Snap
12	W10171104	Baffle, Sink Guard
13	W10171105	Gasket, Mounting
14	4211308	Flange, Body
15	W10171106	Trim, Shell (Cap)
16	W10171107	Shell, Trim
17	8174342	Clip
18	W10171108	Screw
19	W10171109	Coupler, Flex
20	8174315	Cover, Terminal
21	W10171110	Installation Kit
22	W10171111	Clamp, Spring
23	8174310	Wrench
24	W10171112	Tube, Discharge
25	W10179031	Mounting Assembly

OPTIONAL PARTS NOT ILLUSTRATED

W10168270 Disposer, Complete